



**Model:D541/7T、D541/7TK
Temperature Switches**



上海远仪控制器厂有限公司
Tel: (021)56325599 56983311 69927271
Fax:69927273 <http://www.shyuanyi.com>

**Model:D541/7T (EX)
Explosion-proof Temperature Switches**



上海远仪控制器厂有限公司
Tel: (021)56325599 56983311 69927271
Fax:69927273 <http://www.shyuanyi.com>

The sensor is temperature package with capillary, and suitable for flowing neutral gas and liquid medium. If the medium is corrosive, it is available to set a stainless steel protected-sets of temperature package outside brass-temperature package(Appendix).

The settings of switches is adjustable, and the adjustment range is from -30°C to 280°C.

Main Technical Performance

	General Type	Explosion-proof Type
Switching element	Micro-switches	Micro-switches
Explosion Class	—	ExedIICT5 Certificate No: GYB00108X
Protection Class	IP65	IP54
Ambient temperature	-25°C ~ +60°C	-20°C ~ +40°C
Capillary length	1.5m(if choose other length capillary,6m is the longest,and it is needed to show in contract)	1.5m(if choose other length capillary,6m is the longest,and it is needed to show in contract)
Mounting position		Vertical down
Vibrations	D541/7T: 40m/s ² D541/7TK: 20m/s ²	Max: 20m/s ²
Materials (Sensor)	Brass	Brass
Repeatability error	≤3%	≤3%
Electrical rating	AC220V 6A(Resistance)	DC250V 0.25A(Resistance) 60 W max AC250V 5A(Resistance) 1250 VA max

Characteristic date

● **D541/7T switching difference no adjustable**

Adjustable range °C	Switching difference		Max. allowable temperature °C	Weight kg	Drawing No.		Cat No.	
	Lower range °C	Upper range °C			General type	Explosion-proof type	General type	Explosion-proof type
-30...40	4	2	70	0.95	01	02	0891500	0891580
10...75	5	2.5	95	0.95			0891700	0891780
60...165	12	4	190	0.95			0891800	0891880
160...280	14	6	320	0.95			0891900	0891980

● **D541/7T switching difference adjustable**



Adjustable range °C	Switching difference		Max. allowable temperature °C	Weight kg	Drawing No.		Cat No.	
	Lower range °C	Upper range °C			General type	Explosion-proof type	General type	Explosion-proof type
-30...40	8...20	6.5...8	70	1.00	1	2	0890500	0890580
10...75	9...25	4...10	95	1.00			0890700	0890780
60...165	18...30	6...10	190	1.00			0890800	0890880
160...280	20...40	8...15	320	1.00			0890900	0890980

● **D541/7TK switching difference no adjustable (small switching difference, no explosion-proof type)**

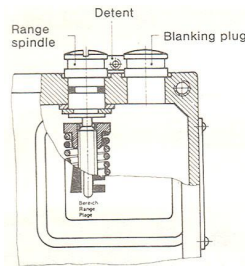
Adjustable range °C	Switching difference		Max. allowable temperature °C	Weight kg	Drawing No.	Cat No.
	Lower range °C	Upper range °C				
-30...40	2.5	1.5	70	0.95	1	0891507
10...75	3	2	95	0.95		0891707
60...165	6	3	190	0.95		0891807
160...280	7	4	320	0.95		0891907

Switch selection and mounting instructions

The switching points should normally be in about the middle of the adjustable range. Observe switching temperature during normal operation. Do not exceed electrical ratings. Electrical connection by a M18x1.5 cable gland, in accordance with local regulations. For outdoor installation sufficient protection has to be provided for Critical conditions are: Aggressiveness of air, high or low temperatures, drastic changes in temperature, solar radiation, penetration of water.

Setting of the switching points

Use range spindle to set the upper or lower switching point on design with **fixed** switching temperature difference. The opposite one is determined by the fixed switching temperature difference.

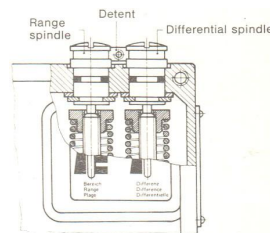


On designs with adjustable switching temperature difference. Use range spindle to set the lower switching point, then use differential spindle to set the upper switching point by adding the desired switching temperature difference.

Turning the range spindle anticlockwise shifts both switching points upwards. Turning the differential spindle anticlockwise shifts only the upper switching point upwards, i.e. the switching temperature difference (distance between the upper and lower switching points) increases.

Example :

Desired : Lower switching point 40°C
 Upper switching point 55°C
 (Switching temperature difference=15°C)
 Setting: 40°C (with range spindle)
 55°C (with differential spindle)

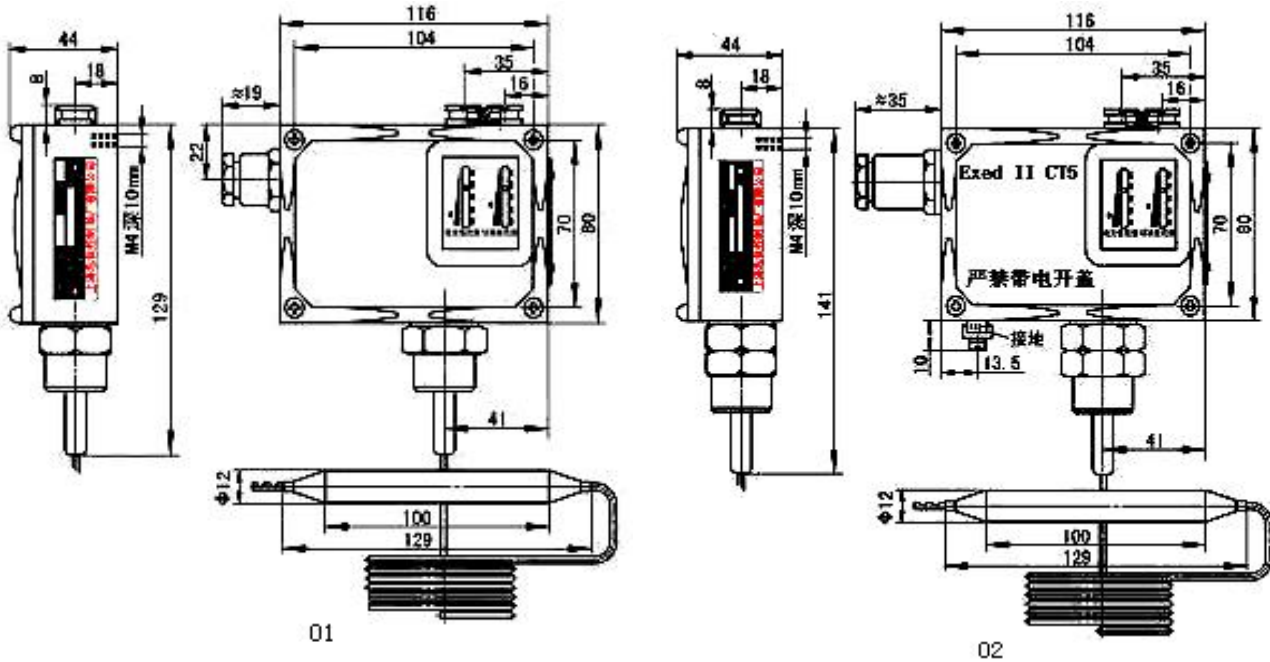




To set precise switching points a thermometer is required.(The temperature switch is a switching and regulating device and not a measuring instrument even if has a scale to assist in the setting.)

The setting can be changed at any time, even during operation.

Dimensional drawing Units: mm



Accessories

The selectable accessory catalogue numbers : 0574758,0574760,0574772

<p>Closed protection sleeve G1/2 for sensor cartridge: Material brass, Cat.NO.0574758 Material Stainless steel, Cat.NO.0574760</p>	
<p>7T-support: (2 brackets , 4 screws) Cat.No. 0574772</p>	