



Model:D540/7T、D540/7TK Temperature Switches

The sensor is temperature package type. It is suitable for neutral medium. The set point is adjustable, and the range is from -20 to 70°C.



上海远仪控制器厂有限公司

Tel: (021)56325599 56983311 69927271

Fax:69927273 <http://www.shyuanyi.com>

Main Technical Performance

Switching element: Micro-switches

Ambient temperature: -25°C~Max. allowable temperature (form)

Protection Class: IP65 (in line with KIN40050, Equivalent of IP65 of GB4208)

Vibrations: D540/7T: 40m/s², D540/7TK:20m/s²

Repeatability error: ≤3%

Electrical rating: AC 220V 6A (Resistance)

Characteristic date

● switching difference no adjustable

Type	Adjustable range °C	Switching difference		Max. allowable temperature °C	Weight kg	Drawing No.	Cat No.
		Lower range °C	Upper range °C				
D540 /7T	-20.....+30	3.0	1.5	+40	0.8	01	0890100
	0.....+50	1.5	1.5	+65	0.8	01	0890200
	+20.....+70	2.0	1.5	+85	0.8	01	0890300

● switching difference adjustable

Type	Adjustable range °C	Switching difference		Max. allowable temperature °C	Weight kg	Drawing No.	Cat No.
		Lower range °C	Upper range °C				
D540 /7T	-20.....+30	4.2...20	2.0...8	+40	0.8	01	0890100
	0.....+50	3.0...20	2.0...8	+65	0.8	01	0890200
	+20.....+70	3.5...25	2.0...10	+85	0.8	01	0890300

● switching difference no adjustable (small pressure difference)

Type	Adjustable range °C	Switching difference		Max. allowable temperature °C	Weight kg	Drawing No.	Cat No.
		Lower range °C	Upper range °C				
D540 /7TK	-20.....+30	2.0	1.2	+40	0.8	01	0891107
	0.....+50	1.2	1.2	+65	0.8	01	0891207
	+20.....+70	1.7	1.2	+85	0.8	01	0891307

Dimensional drawing

Units: mm

地址: 上海市嘉定区南翔镇顺达路 300 弄 46 号

电话: (021) 56325599 56983311 69927271

传真: (021) 69927273

邮编: 201802

网址: <http://www.shyuanyi.com>

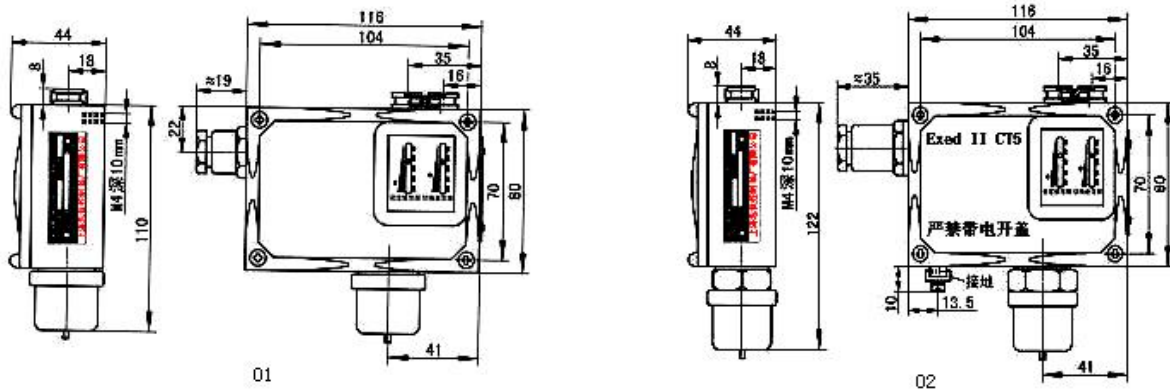
Address: NO.46,Lane300,Shunda Road,Nanxiang Town, Jiading District, Shanghai, China

Tel: (021) 56325599 56983311 69927271

Fax: (021) 69927273

PostCode: 201802

Mail: 6369039@qq.com



Setting the switching points (see the temperature switches in detail)

Accessories

Alternative Cat No.:0574772

Switch selection and mounting instructions (see the switches in detail)