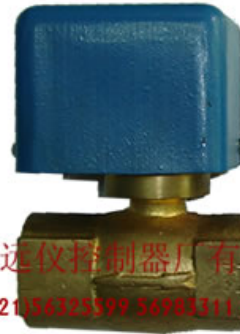




## LKB—03 Target Type Flow switches

The sensor is Target-type. It can be use for Water cooling system or other fluid loop. The set point is adjustable.



上海远仪控制器厂有限公司

Tel: (021) 56325599 56983311 69927271

Fax: 69927273 <http://www.shyuanyi.com>

**Electrical performance:**

Resistive Load	
Voltage V	Current A
220	3

**Specifications units: L / min**

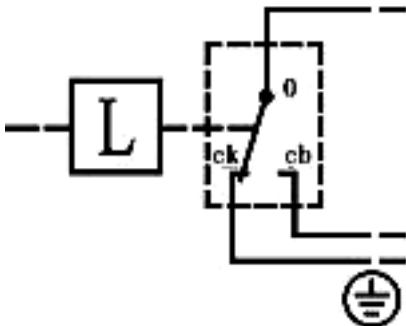
NO.	Flow range (L/min)	Switching difference	Repeatability	Pipe diameter	Max. allowable pressure MPa	Weight Kg
1	6...30	≅ 6L/min	≅ 1.5L/min	ZG3/4	1.6	0.5

**Main technical performance**

Ambience temperature: 5~40°C

Media temperature: 5-80°C

**wiring diagram**



SPDT Micro-Switch working condition:

When the flow is rising to the upper range, the terminal 0-cb is on;

When the flow is rising to the lower range, the terminal 0-ck is on.



Overall installation dimensions Unit: mm

