



FLOW SWITCH

Model LKB-01

LKB-01 works in liquid fluids of water、refrigerants. ON/OFF action of the switch is very definite , owing to the paddle style flow sensor.



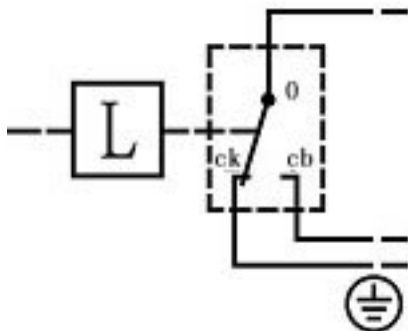
□ Characteristic Data

| NO. | Adjustable Range (L/min) | Difference Range (L/min) | Deviation Less | Pipe Dia. | | Type of Paddle | Pressure Resistance (MPa) | Weight (Kg) |
|-----|--------------------------|--------------------------|----------------|-----------|-----|----------------|---------------------------|-------------|
| | | | | in | mm | | | |
| 1 | 20... 48 | 8 | 1. 1 | 1 | 25 | 1 | 1. 6 | 0. 5 |
| 2 | 34... 100 | 10 | 2. 6 | 1 1/4 | 32 | 1 | | |
| 3 | 65... 160 | 14 | 3. 8 | 1 1/2 | 40 | 1 | | |
| 4 | 120... 280 | 26 | 6. 4 | 2 | 50 | 1 | | |
| 5 | 210... 550 | 18 | 4. 0 | 2 | 50 | 2 | | |
| 6 | 380... 750 | 20 | | 2 1/2 | 70 | 1 | | |
| 7 | 40... 140 | 18 | | 2 1/2 | 70 | 2 | | |
| 8 | 110... 340 | 15 | | 3 | 80 | 1 | | |
| 9 | 180... 470 | 18 | | 3 | 80 | 2 | | |
| 10 | 350... 920 | 20 | | 3 | 80 | 3 | | |
| 11 | 115... 220 | 20 | | 4 | 100 | 2 | | |
| 12 | 210... 590 | 20 | | 4 | 100 | 3 | | |
| 13 | 380... 1200 | 40 | | 5 | 125 | 3 | | |
| 14 | 550... 1800 | 80 | | 6 | 150 | 3 | | |

□ Technical Data

Work Temperature: 5~80°C
 Setting Value: 20~2000 L/min
 Contact Capability: 220V, 3A, AC

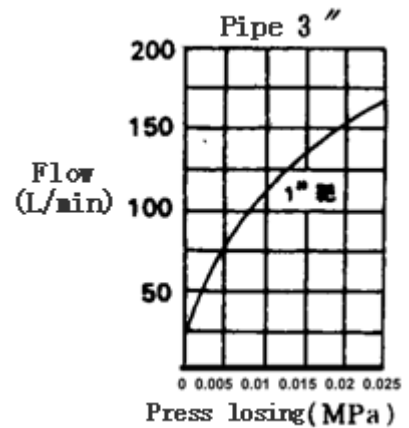
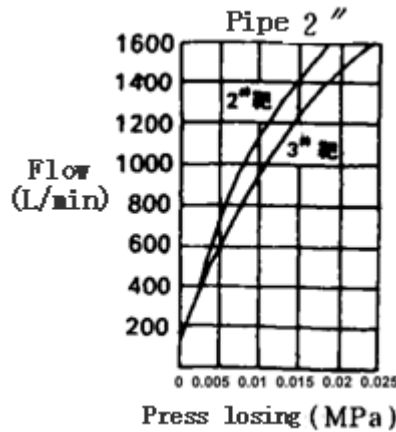
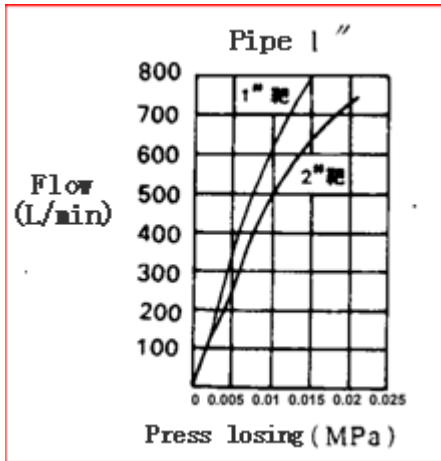
□ Switch Function: Microswitch SPDT



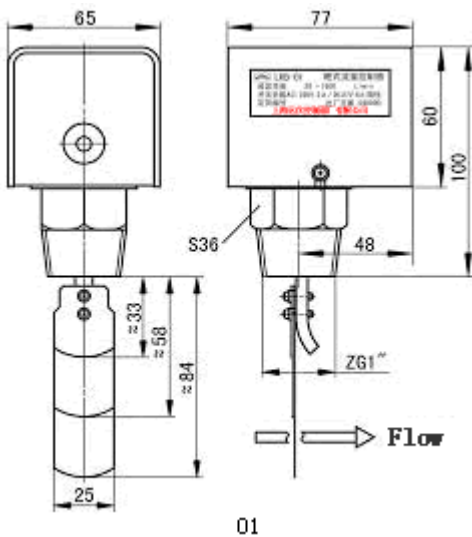
Terminals 0-cb: Contacts close on rising flow;
 Terminals 0-ck: Contacts open on rising flow;



□ 压力损失特性曲线



□ Dimensional Diagram : (mm)



□ Installation

1. Choose the suitable paddle from the related list according to the amount of flow and the size of pipes, then install it on the sway-bar.
2. Wire some polytetrafluorethylene band on the connector, then screw this switch tight in it to ensure a good encapsulation. At the same time, notice to make the arrow as shown on the enclosure be the same direction with water flow.
3. Open the enclosure, connect the circuit according to the requirement. Adjust the motion value according to the operation conditions.
4. Be careful with the notice at installation and attach a guide-pipe of 10 D (pipe diameter) before this Switch.

