



## Model:D520M/7DD (EX) Explosion-proof Differential Pressure Switches

The sensor is diaphragm-type, and the protection class is Exde II CT5. The switches can be suitable for general gas such as air and many liquid medium such as water and oil. The Set Point is adjustable, and the adjustable range is from 0 to 25KPa.

Pressure controller of the following components in line with GB3836.1 ~ 3 standard (equivalent to German VDE0171 standards) specified in explosion-proof rating.

Micro Switch: Explosion-proof grade d II CT6 (explosion-proof type)

Explosion-proof housing: Explosion-proof grade e II T5 (Increased Safety Type)

Terminals: The product by the National Instrument Inspection Station Explosion-proof safety oversight passing inspection. Explosion-proof certificate number: 2073002X

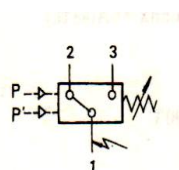
On the factory floor installation must comply with "The People's Republic of China an explosion in hazardous electrical safety procedures (for trial implementation)"



上海远仪控制器厂有限公司

Tel: (021)56325599 56983311 69927271

Fax:69927273 <http://www.shyuanyi.com>



SPDT Switching process:

Terminals 1-3:switching element switch-on when pressure rises to increasing set point  
Terminals 1-2:switching element switch-off when pressure rises to increasing set point

### Main Technical Performance

Working viscosity:  $<1 \times 10^{-3} \text{m}^2/\text{s}$

Protection class: Exde II CT5

Explosion Class: IP54

Ambient temperature:  $0^\circ\text{C} \sim +55^\circ\text{C}$

Mounting position: Vertical down

Vibrations: Max:  $10 \text{m}/\text{s}^2$

Repeatability:  $\leq 2\%$

Electrical rating: DC 250V 0.25A (Resistance) 600Wmax

AC 250V 5A(Resistance) 1250VAmx

Fluid temperature:  $0^\circ \sim +60^\circ\text{C}$  (generally)

$95^\circ\text{C}$  (short time)

### Specifications

- Switching pressure difference not adjustable



# 上海远仪控制器厂有限公司

Shanghai YuanYi Control Factory Co., Ltd.

Adjustable Range KPa	Switching pressure difference		Working pressure range *) KPa	Max allowable pressure **) KPa	Number of switching cycles (1/min)	Pressure sensor materials		Connection (female threaded)	Total weight Kg	Dimensional drawing No.	Cat. No.
	Lower range KPa	Upper range KPa				housing	diaphragm				
0...1	0.12	0.15	From 0 to 80	100	10	Aluminum (nickel-plated)	Viton	G1/4"	2.20	01	0818180
0...1.6	0.15	0.2			10			G1/4"	2.20	01	0818280
0.4...4	0.6	0.8	From 0 to 160	200	10			G1/4"	1.20	02	0818480
0.6...6	0.7	0.9			10			G1/4"	1.20	02	0818580
1...10	0.8	1.2			10			G1/4"	1.20	02	0818680
2.5...25	1.0	1.8			10			G1/4"	1.20	02	0818880

Remark: \*) High-pressure port medium pressure range. \*\*) Even short pressure peaks must not exceed this value during actual operation(max. value=max. testing pressure).

## Accessories

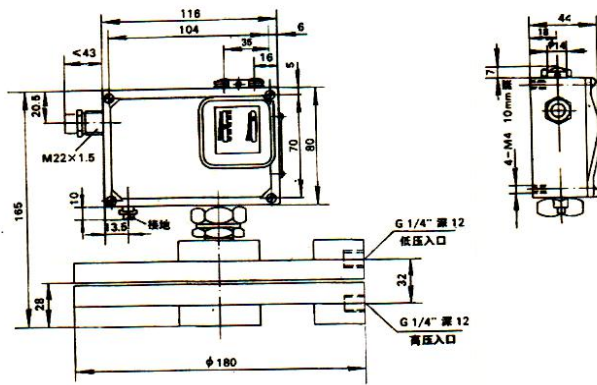
Optional accessories available for ordering Cat.No.: 0574767, 0574771 (0818480~0818880), 0574771A (0818180, 0818280).

## Switch selection and mounting instructions

### Setting of the switching points

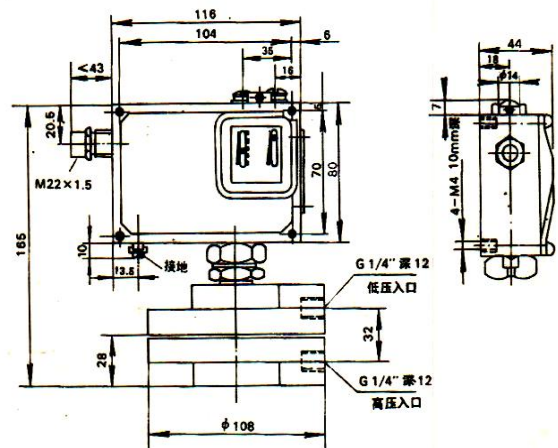
### Outline overall and installing dimensions (units:mm)

01

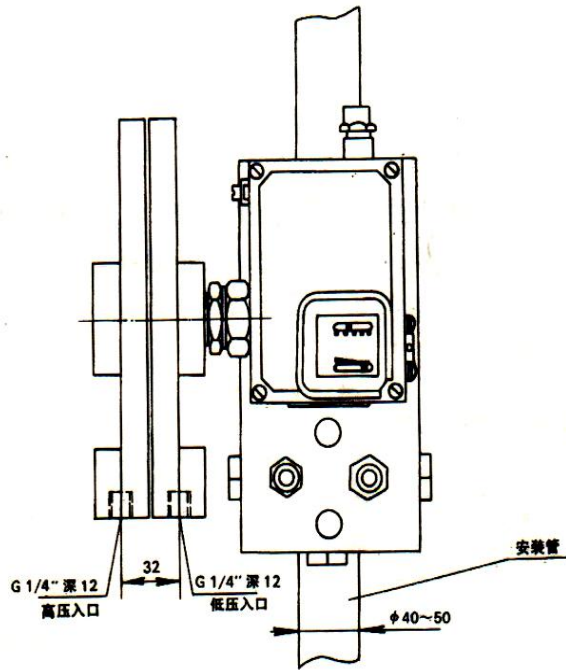


(板式安装)

02



(板式安装)



(管式安装)