



Pressure Switches
Model: D511/7D、D511/7DK



上海远仪控制器厂有限公司

Tel: (021)56325599 56983311 69927271

Fax:69927273 <http://www.shyuanyi.com>

Explosion-proof Pressure Switches
Model: D511/7D (EX)

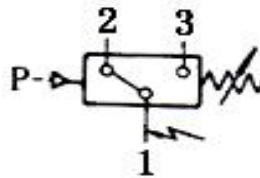


上海远仪控制器厂有限公司

Tel: (021)56325599 56983311 69927271

Fax:69927273 <http://www.shyuanyi.com>

The sensor is bellow type, and is suitable for corrosive gas and liquid medium. The setting of switch is adjustable, and the range is from -0.1 to 6.3MPa.



Switching Function:

Micro-switch SPDT

Terminals 1-3:Contacts close on rising pressure

Terminals 1-2:Contacts open on rising pressure

Main Technical Performance

	General Type	Explosion-proof Type
Working viscosity	<1×10 ⁻³ m ² /s	<1×10 ⁻³ m ² /s
Switching element	Micro-switches	Micro-switches
Explosion Class	—	ExedIICT5 Certificate No: 2073002X
Protection Class	IP65	IP54
Ambient temperature	-40℃~+50℃	-40℃~+50℃
Fluid temperature	0~90℃	0~90℃
Mounting position		Vertical down
Vibrations	D511/7D: 40m/s ² D511/7DK: 20m/s ²	Max: 20m/s ²
Repeatability	≤1%	≤1%
Electrical rating	AC220V 6A (Resistance)	DC 250V 0.25A (Resistance) 60Wmax DC 250V 5A (Resistance) 1250VAmx

Features

Wide range of temperature and suitable for corrosive medium

Characteristic date



上海远仪控制器厂有限公司

Shanghai YuanYi Control Factory Co., Ltd.

● D511/7D Switching pressure difference no adjustable

Adjustable Range MPa	Switching pressure difference		Max. Allowable Pressure *MPa	Number of switching cycles Z(1/min)	Pressure sensor materials		Interface external thread	Weight kg	Drawing No.		Cat No.	
	Lower range MPa	Upper Range MPa			Housing	Bellow			General Type	Explosion proof type	General Type	Explosion proof type
-0.1...0	0.006	0.007	1	20	In contact with the media, all the components are of stainless steel bellow 00Gr17Ni14M02 (316L) The other: 1Cr18Ni9Ti		G1/2"	1.0	01	04	0810111	0850181
-0.1...0.1	0.007	0.008	1						01	04	0810211	0850281
-0.1...0.16	0.008	0.009	1						01	04	0810311	0850381
-0.1...0.25	0.009	0.012	1						01	04	0810411	0850481
0...0.1	0.007	0.008	1						01	04	0811111	0851181
0...0.16	0.008	0.009	1						01	04	0811211	0851281
0.01...0.25	0.009	0.01	1						01	04	0811311	0851381
0.02...0.4	0.03	0.03	2						02	05	0811411	0851481
0.03...0.6	0.03	0.035	2						02	05	0811511	0851581
0.03...1	0.03	0.04	2						02	05	0811611	0851681
0.05...1.6	0.07	0.08	5						03	06	0811711	0851781
0.05...2.5	0.07	0.09	5						03	06	0811911	0851881
0.3...6.3	0.1	0.2	8.5						03	06	0811911	0851981

● D511/7D Switching pressure difference adjustable

Adjustable Range MPa	Switching pressure difference		Max. Allowable Pressure *MPa	Number of switching cycles Z(1/min)	Pressure sensor materials		Interface external thread	Weight kg	Drawing No.		Cat No.	
	Lower range MPa	Upper Range MPa			Housing	Bellow			General Type	Explosion proof type	General Type	Explosion proof type
-0.1...0	0.018...0.08	0.019...0.08	1	20	In contact with the media, all the components are of stainless steel bellow 00Gr17Ni14M02 (316L) The other: 1Cr18Ni9Ti		G1/2"	1.05	01	04	0800111	0840181
-0.1...0.1	0.019...0.1	0.021...0.1	1						01	04	0800211	0840281
-0.1...0.16	0.02...0.2	0.022...0.2	1						01	04	0800311	0840381
-0.1...0.25	0.022...0.08	0.024...0.08	1						01	04	0800411	0840481
0...0.1	0.015...0.08	0.016...0.08	1						01	04	0801111	0841181
0...0.16	0.018...0.1	0.02...0.1	1						01	04	0801211	0841281
0.01...0.25	0.02...0.2	0.024...0.25	1						01	04	0801311	0841381
0.02...0.4	0.08...0.25	0.08...0.25	2						02	05	0801411	0841481
0.03...0.6	0.08...0.5	0.09...0.5	2						02	05	0801511	0841581
0.03...1	0.09...0.8	0.1...0.8	2						02	05	0801611	0841681
0.05...1.6	0.17...1.2	0.19...1.2	5						03	06	0801711	0841781
0.05...2.5	0.18...2	0.2...2	5						03	06	0801911	0841881
0.3...6.3	0.25...2	0.65...2	8.5						03	06	0801911	0841981

● D511/7D Switching pressure difference no adjustable- Small switching difference (No Explosion-proof Type)

Adjustable Range MPa	Switching pressure difference		Max. Allowable Pressure *MPa	Number of switching cycles Z(1/min)	Pressure sensor materials		Interface external thread	Weight kg	Drawing No.	Cat No.
	Lower range MPa	Upper Range MPa			Housing	Bellow				
-0.1...0	0.003	0.0045	1	20	In contact with the media, all the components are of stainless steel bellow 00Gr17Ni14M02 (316L) The other: 1Cr18Ni9Ti		G1/2"	1.0	01	0810113
-0.1...0.1	0.003	0.005	1						01	0810213
-0.1...0.16	0.003	0.0065	1						01	0810313
-0.1...0.25	0.045	0.01	1						01	0810413
0...0.1	0.003	0.0045	1						01	0811113
0...0.16	0.003	0.006	1						01	0811213
0.01...0.25	0.0045	0.007	1						01	0811313
0.02...0.4	0.012	0.016	2						02	0811413
0.03...0.6	0.015	0.02	2						02	0811513
0.03...1	0.018	0.03	2						02	0811613
0.05...1.6	0.03	0.05	5						03	0811713
0.05...2.5	0.03	0.06	5						03	0811813
0.3...6.3	0.06	0.12	8.5						03	0811813

Remark: Even shot pressure peaks must not exceed this value (=max.test pressure)

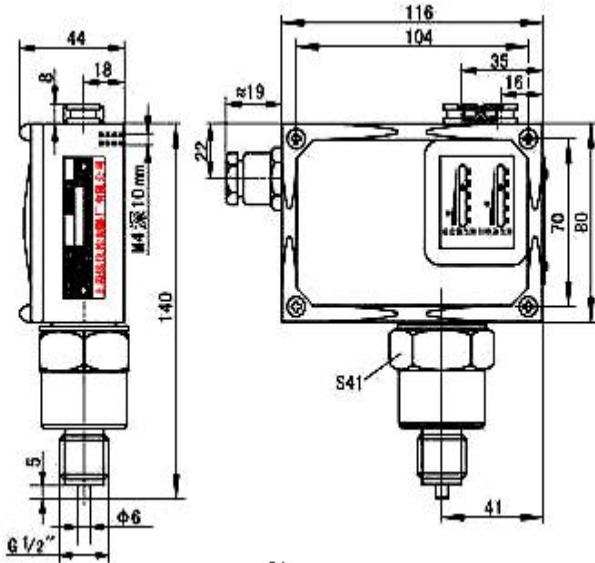
□ Switch selection and mounting instructions

地址: 上海市嘉定区南翔镇顺达路 300 弄 46 号
 电话: (021) 56325599 56983311 69927271
 传真: (021) 69927273
 邮编: 201802
 网址: <http://www.shyuanyi.com>

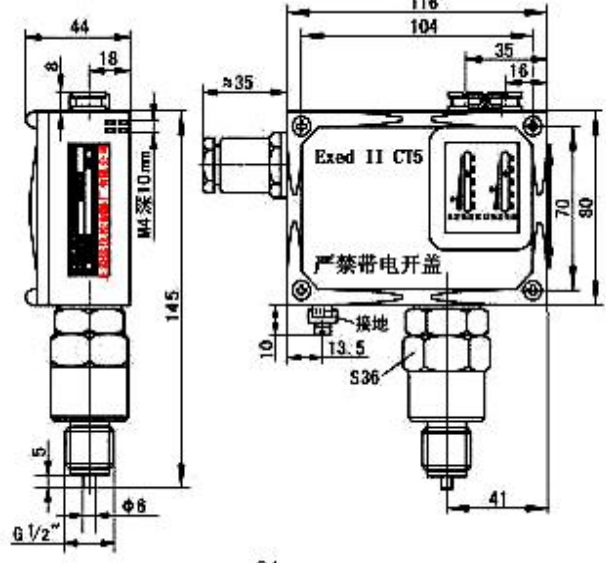
Address: NO.46,Lane300,Shunda Road,Nanxiang Town, Jiading District, Shanghai, China
 Tel: (021) 56325599 56983311 69927271
 Fax: (021) 69927273
 PostCode: 201802
 Mail: 6369039@qq.com



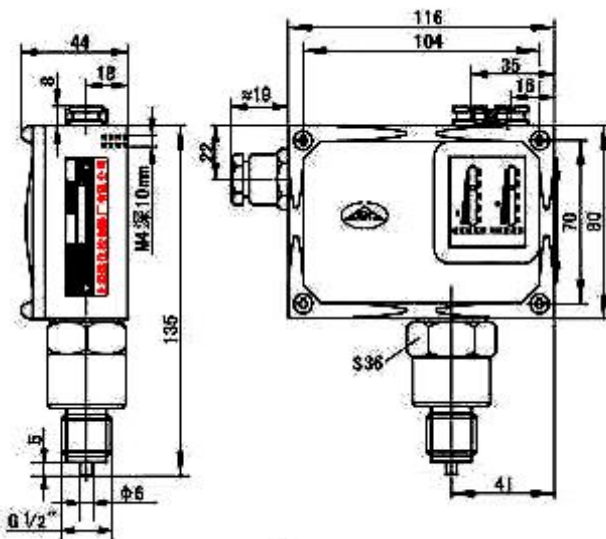
□ Dimensional drawing Units: mm



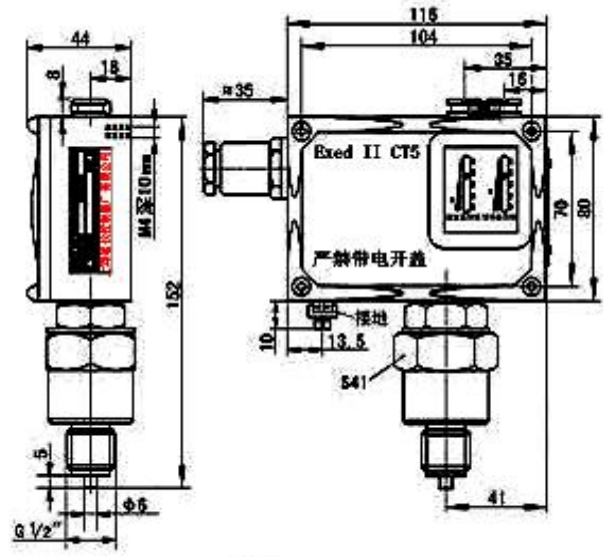
01



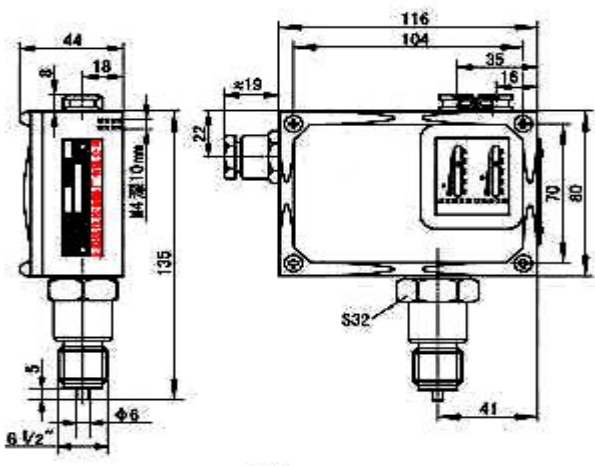
04



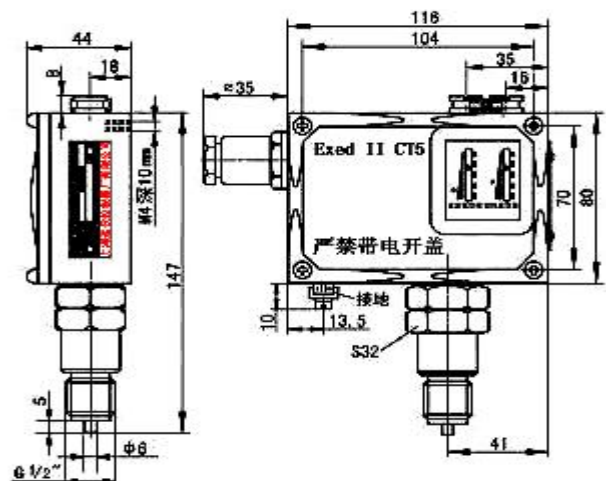
02



05



03



06