



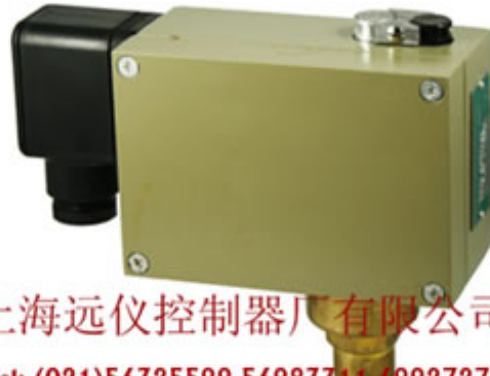
## Double Contact Pressure Switches Model: D502/7DZ

The sensor is bellow type. It is suitable for general gases and liquid medium. The set point is adjustable, and the range is from -0.1 to 2.5MPa.

### Main Technical Performance

Suitable for air, gas, water, steam, Refrigerant and oil medium

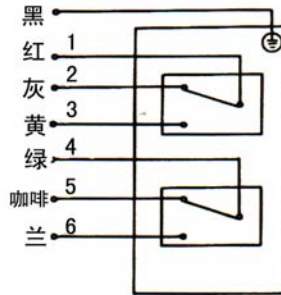
<b>Working viscosity</b>	<math>1 \times 10^{-3} \text{m}^2/\text{s}</math>
<b>Switching element</b>	Micro-switches
<b>Protection Class</b>	IP54
<b>Ambient temperature</b>	-40~+50℃
<b>Fluid temperature</b>	0~+120℃
<b>Mounting position</b>	Vertical down(a slope of 15° is allowed)
<b>Vibrations</b>	Max: 20m/s <sup>2</sup>
<b>Repeatability Error</b>	≤1%
<b>Synchronization error:</b>	≤0.5%( lower switching point *2)
<b>Electrical rating</b>	AC 220V 6A(Resistance) 600VA



上海远仪控制器厂有限公司

Tel: (021)56325599 56983311 69927271

Fax:69927273 <http://www.shyuanyi.com>



**Switching Function:**

**Micro-switch SPDT**

**Terminals**

1-2&4-5:Contacts close

on rising pressure

**Terminals**

1-3&4-6:Contacts open

on rising pressure

### Characteristic date

- Switching pressure difference no adjustable

Adjustable Range MPa	Switching pressure difference MPa		Max. Allowable Pressure *1 (MPa )	Number of switching cycles Z(1/min)	Pressure sensor materials		Connection (internal thread)	Weight kg	Drawing No	Cat No.
	Lower range MPa	Upper Range MPa			housing	bellow				
-0.1...0	0.009	0.011	1	20	brass	Stainless steel 00Cr17Ni14M 02 (316L)	G1/4"	1.4	01	0810108
-0.1...0.1	0.011	0.012	1							0810208
-0.1...0.16	0.012	0.015	1							0810308
-0.1...0.25	0.015	0.018	1							0810408
0...0.1	0.011	0.012	1					1.4	01	0811108
0...0.16	0.012	0.015	1							0811208
0.01...0.25	0.014	0.015	1							0811308
0.02...0.4	0.045	0.045	2					1.25	02	0811408
0.03...0.6	0.045	0.054	2							0811508
0.03...1	0.045	0.06	2							0811608
0.05...1.6	0.11	0.12	5					1.3	03	0811708
0.05...2.5	0.11	0.15	5							0811808

Remark: 1.In practice work, Even shot pressure peaks must not exceed this value (=max.test pressure)  
2.The upper value of synchronization requirements should be indicated in the order.

### Switch selection and mounting instructions (The same as switches)

### Setting of the switching points (The same as pressure switches)

地址: 上海市嘉定区南翔镇顺达路300弄46号  
电话: (021) 56325599 56983311 69927271  
传真: (021) 69927273  
邮编: 201802  
网址: <http://www.shyuanyi.com>

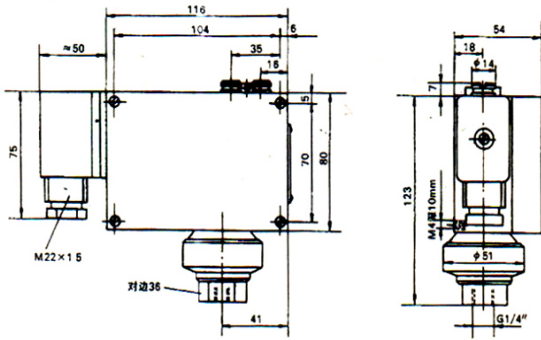
Address: NO.46,Lane300,Shunda Road,Nanxiang Town, Jiading District, Shanghai, China  
Tel: (021) 56325599 56983311 69927271  
Fax: (021) 69927273  
PostCode: 201802  
Mail: [market@shyuanyi.com](mailto:market@shyuanyi.com)



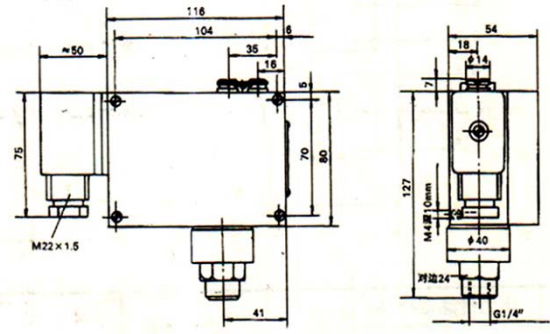
Dimensional drawing

Units: mm

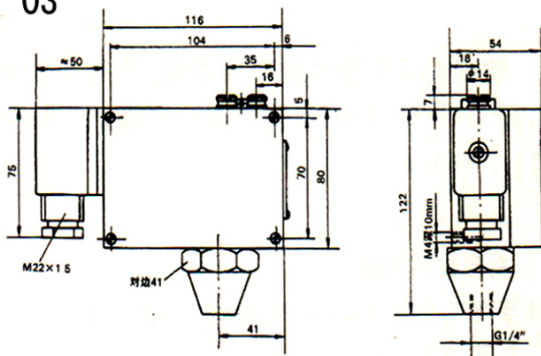
01



02



03



Accessories

Alternative Cat No.: 0574767, 0574772, 0574773.