



Pressure Switches

Model: D500/18D D505/18D

Pressure switch for air, gas, lubricating oil, light fuel oil etc;

D500/18D Switches is actuated by Diaphragm, it's adjustable range is from 0.02 MPa to 3Mpa;

D505/18D Switches is actuated by piston sensor with soft seal, it's adjustable range is from 0.5 MPa to 40Mpa;



上海远仪控制器厂有限公司

Tel: (021)56325599 56983311 69927271

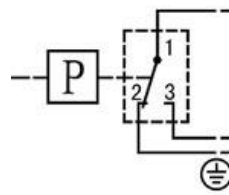
Fax:69927273 <http://www.shyuanyi.com>

Main Technical Performance

Working viscosity:	<1x10 ⁻³ m ² /s
Switching element:	Micro-switches
Protection Class:	IP65
Ambient temperature:	-25~55℃
Fluid temperature:	-25~80℃
Vibrations:	Max: 100m/s ²
Repeatability:	≤1.5%
Electrical rating:	AC 220V 6A

Switching Function: Micro-switch SPDT

Terminals 1-3:
Contacts close on rising pressure
Terminals 1-2:
Contacts open on rising pressure



Features

- Especially compact design
- High number of switching cycles permissible
- good performance of vibration resistance

Characteristic date

Model	Adjustable Range MPa	Switching pressure difference		Max. Allowable Pressure ¹⁾ MPa	Pressure sensor materials			Connectio n Type ²⁾	Connectio n (internal thread)	Weight (kg)	Drawing No.	Cat.No.
		Lower range MPa	Upper range MPa		Housing	Diaphragm/ Piston	Seal					
D500/18D	-0.1...0	0.015	0.02	8	AI	NBR	St.steel	I	G1/4"	0.2	01	0880100
	-0.1...0	0.015	0.02	8	AI			P	-		03	0881100
	0.02...0.2	0.02	0.04	8	AI			I	G1/4"		01	0880200
	0.02...0.2	0.02	0.04	8	AI			P	-		03	0881200
	0.05...0.8	0.04	0.13	8	AI			I	G1/4"		01	0880300
	0.05...0.8	0.04	0.13	8	AI			P	-		03	0881300
	0.1...1.6	0.06	0.24	8	AI			I	G1/4"		02	0880400
	0.1...1.6	0.06	0.24	8	AI			P	-		03	0881400
D505/18D	0.5...7	0.8	2	40	AL	NBR	St.steel	I	G1/4"	0.2	04	0882100
	0.5...7	0.8	2	40	AL			P	-		03	0883100
	1...16	1.2	3.5	40	AL			I	G1/4"		04	0882200
	1...16	1.2	3.5	40	AL			P	-		03	0883200
	2.5...25	1.5	4	40	AL			I	G1/4"		05	0882300
	2.5...25	1.5	4	40	AL			P	-		03	0883300
	4...40	1.8	4.5	60	AL			I	G1/4"		05	0882400
	4...40	1.8	4.5	60	AL			P	-		03	0883400

Notes: ¹⁾ Even shot pressure peaks must not exceed this value (=max.test pressure)

²⁾ I-Internal thread P-Flange

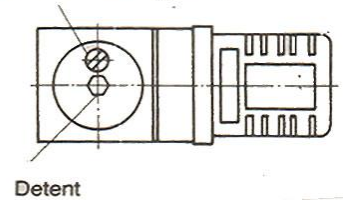


Setting of switching points

Adjust either the upper or the lower switching point. The opposite one is then determined by the fixed switching pressure difference. Use pressure gauge for adjustment. The switching points may be set even during operation. Proceed as follows:

1. Loosen stop screw.
2. Adjust switching points by means of a 5mm hexagon spanner.
3. Depending on the sense of rotation the switching points move upwards (clockwise rotation) or downwards (counter-clockwise rotation).
4. Retighten stop screw.

Adjustment of switching points



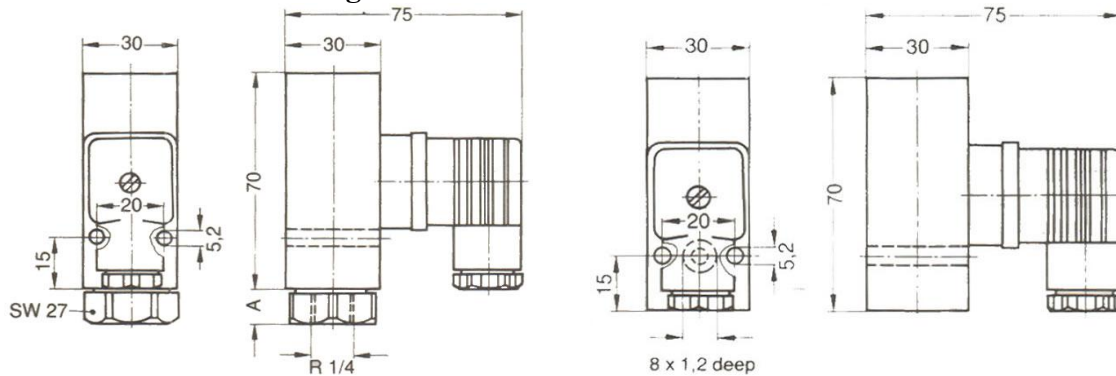
Switch selection and mounting instructions

The switching points should normally be in about the middle of the adjustable range. Do not exceed electrical ratings.

Electrical connection in accordance with local regulations. For outdoor installation sufficient protection has to be provided for Critical conditions are: Aggressiveness of air, high or low temperatures, drastic changes in temperature, solar radiation, penetration of water.

For liquid media with pressure peaks and /or pulsating pressure, install surge damper upstream.

Dimensional drawing



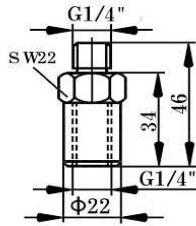
图号	A
01	15
02	9
04	6
06	7

图号
03

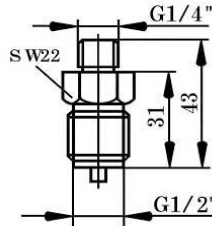
Accessories



**Surge damper
G1/4
Cat. No.
0574773**



**Reducer G1/2
to G1/4
external
thread
Cat.
No.
0574767**



**Three-way-con
nection
Screw-off the
bolt, pressure
gauge with
Φ60 can be
directly
connected
Cat. No. SC5
470 505**

